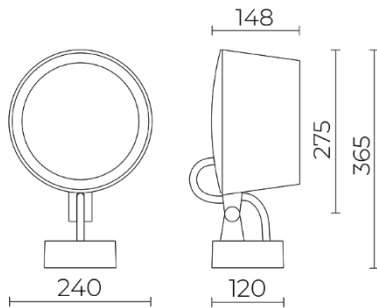
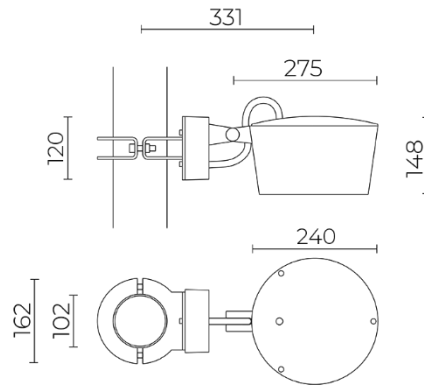

Flood



Pole



General features

Description: LED floodlight

Insulation class: class II

Nominal voltage: 220-240 V / 50-60 Hz

Protection level: IP66

Protection against impact: IK08

Power factor: > 0.9

Ambient temperature Ta: -30° C +50°C

Weight: 4.1 kg

Maximum exposed surface: 0,047 m²

Lateral exposed surface: 0,038 m²

Common mode surge protection (EN61000-4-5:2006): 10 kV

Differential mode surge protection (EN61000-4-5:2006): 6 kV

Driver: included

Driver lifetime: >100.000h @Ta25°C \ <0,2% on 1.000h

Marks and Certifications: CE

Place of manufacture: Made in Italy

Materials

Body: die-cast aluminium alloy UNI EN AB 47100 (copper content < 1%)

Fitting system: die-cast aluminium alloy UNI EN AB 47100 (copper content < 1%)

Screen: flat tempered glass not replaceable

Lenses: high-transparency PMMA

The features of the product listed above may be subjected to change without notice. They will have to be confirmed in case of order. In order to facilitate a constant updating of their products, Cariboni Group reserves the right to make changes without prior notice.

Line Sheet

14.09.22

Omikron pro

Colour temperature: 4000K / 3000K

Type of optics: ultra-narrow beam U-C 6°
narrow beam C 11°
medium beam M 25°
wide beam D 40°
ultra-wide beam U-D 90°**06OM6**Colours: Sablé 100 Noir,
grey RAL9006

Seal: anti-age silicone foam

External screws: 304 stainless steel

Internal screws: chrome-plated steel

Cables: rigid conductor, PVC-sheathed. Four-core rubber-sheathed power cable.

Wiring plate: pre-galvanised steel

Finish: phosphochromatisation-treated and polyester powder-coated in 16 phases for optimal weather resistance**Colours**

Sablé 100 Noir, grey RAL9006**Installation and maintenance**

Installation: wall / ceiling / ground / pole side

Pole diameter: with accessories Ø 102 mm

Inclination: infinitely-adjustable +90° -455°; infinitely-adjustable pointing and fixing system

Fitting system: anchoring with dowels (not supplied) / on pole with an accessory complete with screws

Ø power cable: 12 mm

Cable gland: M20

Electrical connection: via supplied IP68 4-pin connector

Power cable anchorage: internal cable clamp

Screen opening: yes

Power supply compartment: internal \ separate from the optical compartment

Optical unit substitutability: no

Wiring plate substitutability: yes

Electrical wiring: includes electronic driver \ resistors

Management system: DALI**Optical system**

Provided with 4000K and 3000K white emitters fitted via a "pick and place" system to a heat sinking metal core printed circuit board (MCPCB). Optical system composed of high-transparency poly-methyl-methacrylate lenses developed in order that each light source provides full photometry. This solution guarantees that the malfunctioning of an individual LED will not lead to less-illuminated areas, but at most will cause an overall decrease in the percentage of light over the entire area covered.

CRI (colour rendering index): ≥ 80

Chromatic consistency (SDCM): ≤3

Optical unit lifetime: > 100.000h @700mA @Ta25° C TM21 L80B20

Photobiological safety class: EXEMPT GROUP

ULOR: 0%

The features of the product listed above may be subjected to change without notice. They will have to be confirmed in case of order. In order to facilitate a constant updating of their products, Cariboni Group reserves the right to make changes without prior notice.

DLOR: 100%

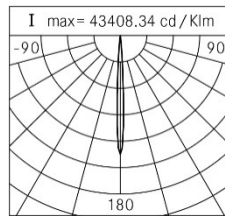
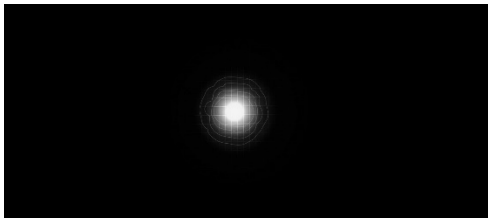
Light intensity category: G*6

Normative framework

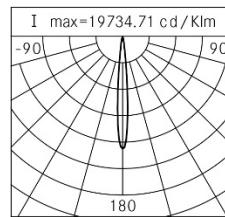
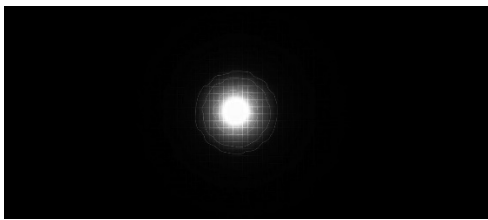
EN60598-1 / EN60598-2-3 / EN62471 / EN61547

Optics

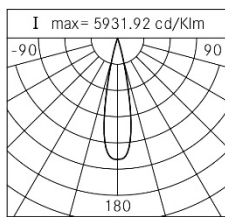
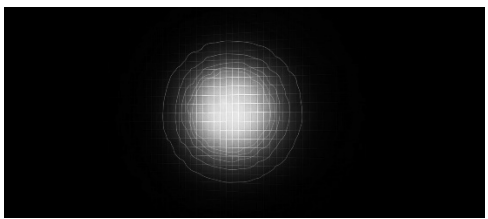
UC-6°



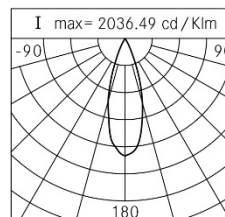
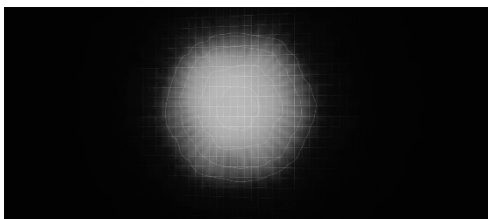
C-11°



M25°



D40°



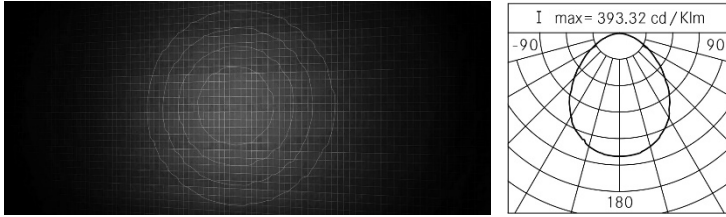
The features of the product listed above may be subjected to change without notice. They will have to be confirmed in case of order. In order to facilitate a constant updating of their products, Cariboni Group reserves the right to make changes without prior notice.

Omikron pro

Colour temperature: 4000K / 3000K
Type of optics: ultra-narrow beam U-C 6°
narrow beam C 11°
medium beam M 25°
wide beam D 40°
ultra-wide beam U-D 90°

060M6 _____
Colours: Sablé 100 Noir,
grey RAL9006

U-D 90°



Performance data

OPTICS: ULTRA-NARROW BEAM U-C 6°								
Sources	mA	K	φ mod [lm]	P mod [W]	η mod [lm/W]	φ app [lm]	P app [W]	η app [lm/W]
L4	700	4000	3905	32,5	120	3480	36	97
L4	525	4000	3115	23,5	133	2775	27,5	101
L4	350	4000	2225	16	139	1980	19	104
L4	700	3000	3625	32,5	112	3240	36	90
L4	525	3000	2895	23,5	123	2585	27,5	94
L4	350	3000	2065	16	129	1845	19	97

OPTICS: NARROW BEAM C11° / MEDIUM BEAM M25° / WIDE BEAM D40°								
Sources	mA	K	φ mod [lm]	P mod [W]	η mod [lm/W]	φ app [lm]	P app [W]	η app [lm/W]
L4	700	4000	4550	31,5	144	3970	35	113
L4	525	4000	3575	23	155	3125	26,5	118
L4	350	4000	2495	15,5	161	2180	19	115
L4	700	3000	4395	31,5	140	3780	35	108
L4	525	3000	3460	23	150	2975	26,5	112
L4	350	3000	2410	15,5	155	2075	19	109

OPTICS: ULTRA-WIDE BEAM U-D 90°								
Sources	mA	K	φ mod [lm]	P mod [W]	η mod [lm/W]	φ app [lm]	P app [W]	η app [lm/W]
L4	700	4000	4550	31,5	144	3385	35	97
L4	525	4000	3575	23	155	2660	26,5	100
L4	350	4000	2495	15,5	161	1855	19	98

The features of the product listed above may be subjected to change without notice. They will have to be confirmed in case of order. In order to facilitate a constant updating of their products, Cariboni Group reserves the right to make changes without prior notice.

L4	700	3000	4395	31,5	140	3220	35	92
L4	525	3000	3460	23	150	2535	26,5	96
L4	350	3000	2410	15,5	155	1765	19	93

Data of the lighting source flux and efficiency refer to the LED module, without lenses. In case you need data of the LED module complete with lenses, please multiply the mentioned data by 0.9 factor.

Values indicated in this technical sheet are to be considered nominal values with a tolerance of +/-7%.

Legend

mA = Power supply

K = Colour temperature:

φ mod [lm] = Source flux

P mod [W] = Source power

η mod [lm/W] = Source efficiency

φ app [lm] = Unit flux

P app [W] = Unit power

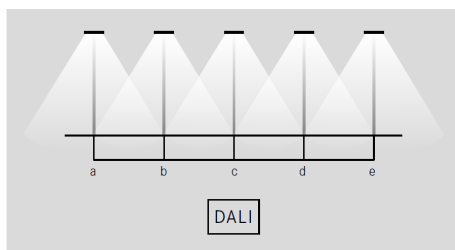
η app [lm/W] = Unit efficiency

Flux regulation	Standard
DALI Regulation	X

Flux regulation

Group Management: DALI (standard)

DALI — This is a digital control system where every device is assigned a unique address that allows individual light points to be controlled and control groups to be created.



The features of the product listed above may be subjected to change without notice. They will have to be confirmed in case of order. In order to facilitate a constant updating of their products, Cariboni Group reserves the right to make changes without prior notice.