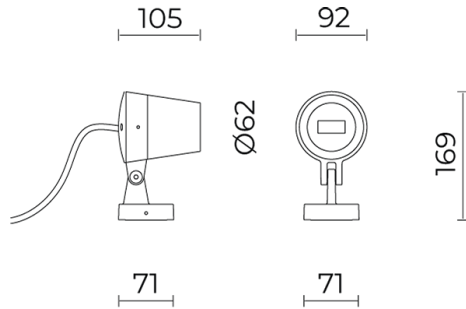


**Omikron mini**

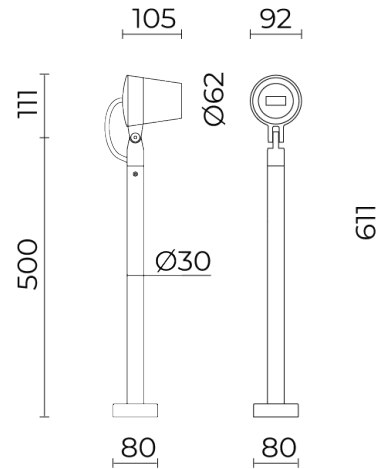
Options: Flood, Bollard, Pole  
Colour temperature: 4000K/3000K  
Type of optics: Blade 6°x90°  
Spot 10°  
Spot 25°  
Ultra-wide beam 90°

**060M** \_\_\_\_\_  
Colour: Corten  
Grey RAL9006  
Sablé 100 Noir  
White RAL9003

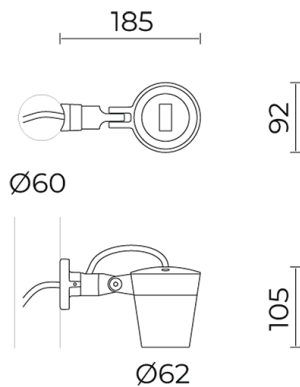
**Flood**



**Bollard**



**Pole**



**General features**

Description: LED floodlight for the illumination of architecture and venues for culture, social activities and free time

Insulation class: class II (ON-OFF), class III (DALI)

Nominal voltage: 220-240 V/50-60 Hz (ON-OFF), 24Vdc (DALI)

Protection level: IP66

Protection against impact: IK07

Power factor: > 0.9

Ambient temperature Ta: -30°C +50°C

Weight: 1.00 kg (flood, pole), 1.50 kg (bollard)

Maximum exposed surface: 0.011 m<sup>2</sup>

Exposed lateral surface: 0.006 m<sup>2</sup>

Driver: ON-OFF driver (included), DALI driver (external)

Classification: CUT OFF

Marks and Certifications: CE

The features of the product listed above may be subjected to change without notice. They will have to be confirmed in case of order. In order to facilitate a constant updating of their products, Cariboni Group reserves the right to make changes without prior notice.

**Line sheet**

Rev 17.01.23

**Omikron mini**

Options: Flood, Bollard, Pole  
Colour temperature: 4000K/3000K  
Type of optics: Blade 6°x90°  
Spot 10°  
Spot 25°  
Ultra-wide beam 90°

**060M** \_\_\_\_\_

Colour: Corten  
Grey RAL9006  
Sablé 100 Noir  
White RAL9003

---

**Materials**

Body: die-cast aluminium alloy UNI EN AB 47100 (copper content < 1%)

Screen: flat tempered glass

Lenses: High-transparency PMMA

Fastening system: die-cast aluminium alloy UNI EN AB 47100 (copper content < 1%)

Seal: expanded anti-age silicone foam

Screws: stainless steel AISI 304

Finish: phospho-chromatation treated and polyester powder-coated in 16 phases to increase weather resistance

---

**Colours**

**Flood:** Corten, Grey RAL9006, Sablé 100 Noir, White RAL9003

**Bollard and Pole:** Grey RAL9006, Sablé 100 Noir

---

**Installation and maintenance**

Installation: pole side, bollard, ceiling-wall-ground

Pole diameter: Ø 60 mm

Fastening: (flood version) fixing base made of die-cast aluminium alloy UNI EN AB 47100 (copper content < 1%) which can be rotated of 360°

Fastening: (bollard version) sheet steel base plate for securing with screw anchors or anchoring bolts (to be ordered separately).  
Bollard in aluminum alloy EN AW 6026.

Fastening: (pole version) mounting base in die-cast aluminium alloy UNI EN AB 47100 (copper content < 1%) for Ø 60 mm poles

Inclination: +90° -45° infinitely-adjustable pointing and fixing system

Wiring: pre-wired product, cable L=1,5m (flood, bollard) or L=5m (pole)

Ø power cable: 7 mm

Cable gland: M12 x 1,5

Power supply compartment: independent from the optical unit

---

**Optical system**

Provided with 4000K, 3000K white LEDs

CRI (colour rendering index): ≥ 80

Chromatic consistency (SDCM): ≤ 3

Optical unit life expectancy: >100.000h @Ta25°C L80B10

Driver life expectancy: >30000 h @50°

Photobiological safety class: EXEMPT GROUP

ULOR: 0% - DLOR: 100%

---

**Normative framework**

EN605981 / EN60598-2-5 / EN62471 / EN61547

The features of the product listed above may be subjected to change without notice. They will have to be confirmed in case of order. In order to facilitate a constant updating of their products, Cariboni Group reserves the right to make changes without prior notice.

**Omikron mini**

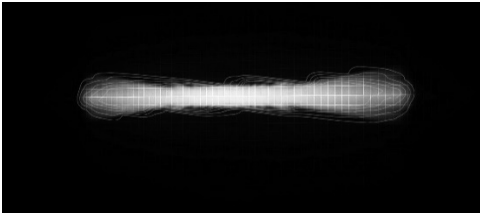
Options: Flood, Bollard, Pole  
 Colour temperature: 4000K/3000K  
 Type of optics: Blade 6°x90°  
 Spot 10°  
 Spot 25°  
 Ultra-wide beam 90°

**060M** \_\_\_\_\_

Colour: Corten  
 Grey RAL9006  
 Sablé 100 Noir  
 White RAL9003

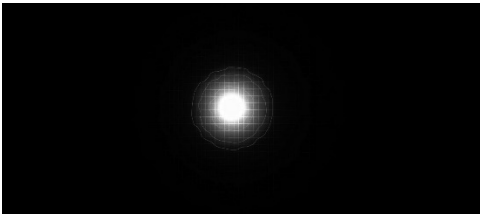
**Optics**

**Blade 6°x90°**



H (m)	Ø (m)	Em (lux)
1	0.12x1.84	325
2	0.22x3.66	81
3	0.34 x 5.5	36
4	0.44 x 7.32	20
5	0.56 x 9.16	13

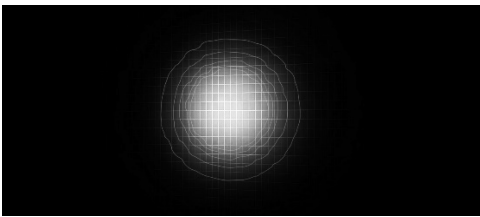
**Spot 10°**



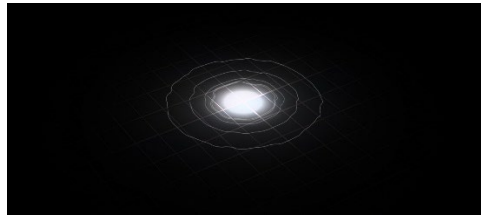
H (m)	Ø (m)	Em (lux)
1	0.16	9037
2	0.34	2259
3	0.50	1004
4	0.68	565
5	0.84	361

**Spot 25°**

**Flood**



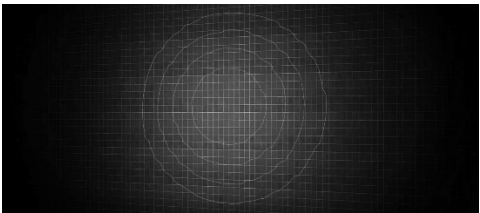
**Bollard e Pole**



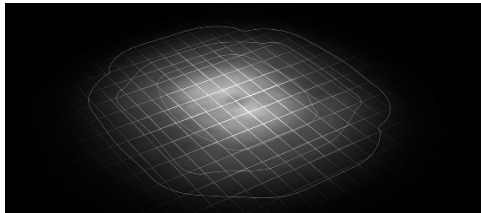
H (m)	Ø (m)	Em (lux)
1	0.42	1484
2	0.84	371
3	1.26	165
4	1.68	93
5	2.08	59

**Ultra-wide beam 90°**

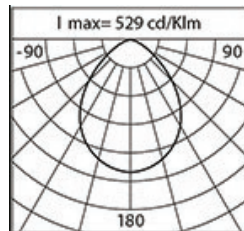
**Flood**



**Bollard**



H (m)	Ø (m)	Em (lux)
0.50	0.94	178
1.00	1.86	44
1.50	2.8	20
2.00	3.72	11
2.50	4.66	7



The features of the product listed above may be subjected to change without notice. They will have to be confirmed in case of order. In order to facilitate a constant updating of their products, Cariboni Group reserves the right to make changes without prior notice.

Performance data

OPTIC BLADE 6°X90° (only flood version)								
Options	Sources	K	$\varphi$ mod [lm]	P mod [W]	$\eta$ mod [lm/W]	$\varphi$ app [lm]	P app [W]	$\eta$ app [lm/W]
ON-OFF	LED	4000	340	4,2	81	85	4,8	18
DALI	LED	4000	340	4,2	81	85	4,2	20
ON-OFF	LED	3000	320	4,2	76	80	4,8	17
DALI	LED	3000	320	4,2	76	80	4,2	19

OPTIC SPOT 10° (only flood version)								
Options	Sources	K	$\varphi$ mod [lm]	P mod [W]	$\eta$ mod [lm/W]	$\varphi$ app [lm]	P app [W]	$\eta$ app [lm/W]
ON-OFF	LED	4000	640	6,2	103	545	7,8	70
DALI	LED	4000	640	6,2	103	545	6,2	88
ON-OFF	LED	3000	600	6,2	97	510	7,8	65
DALI	LED	3000	600	6,2	97	510	6,2	82

OPTIC SPOT 25°								
Options	Sources	K	$\varphi$ mod [lm]	P mod [W]	$\eta$ mod [lm/W]	$\varphi$ app [lm]	P app [W]	$\eta$ app [lm/W]
ON-OFF	LED	4000	640	6,2	103	495	7,8	63
DALI	LED	4000	640	6,2	103	495	6,2	80
ON-OFF	LED	3000	600	6,2	97	460	7,8	59
DALI	LED	3000	600	6,2	97	460	6,2	74

OPTIC ULTRA-WIDE BEAM 90° (only flood and bollard version)								
Options	Sources	K	$\varphi$ mod [lm]	P mod [W]	$\eta$ mod [lm/W]	$\varphi$ app [lm]	P app [W]	$\eta$ app [lm/W]
ON-OFF	LED	4000	640	6,2	103	235	7,8	30
DALI	LED	4000	640	6,2	103	235	6,2	38
ON-OFF	LED	3000	600	6,2	97	215	7,8	28
DALI	LED	3000	600	6,2	97	215	6,2	35

Data of the lighting source flux and efficiency refer to the LED module, without lenses. In case you need data of the LED module complete with lenses, please multiply the mentioned data by 0.9 factor.  
Values indicated in this technical sheet are to be considered nominal values with a tolerance of +/-7%.

Legend

**K** = Colour temperature

**$\varphi$  mod [lm]** = Source flux

**P mod [W]** = Source power

**$\eta$  mod [lm/W]** = Source efficiency

**$\varphi$  app [lm]** = Unit flux

**P app [W]** = Unit power

**$\eta$  app [lm/W]** = Unit efficiency

The features of the product listed above may be subjected to change without notice. They will have to be confirmed in case of order. In order to facilitate a constant updating of their products, Cariboni Group reserves the right to make changes without prior notice.

**Omikron mini**

Options: Flood, Bollard, Pole  
Colour temperature: 4000K/3000K  
Type of optics: Blade 6°x90°  
Spot 10°  
Spot 25°  
Ultra-wide beam 90°

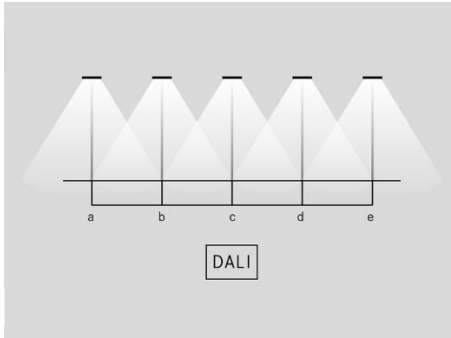
**06OM**\_\_\_\_\_

Colour: Corten  
Grey RAL9006  
Sablé 100 Noir  
White RAL9003

---

**Group Management: DALI flow adjustment**

**DALI** — This is a digital control system where every device is assigned a unique address that allows individual light points to be controlled and control groups to be created.



The features of the product listed above may be subjected to change without notice. They will have to be confirmed in case of order. In order to facilitate a constant updating of their products, Cariboni Group reserves the right to make changes without prior notice.