



GA-017 STANDARD

- Good light in small form factor – no separate housing part

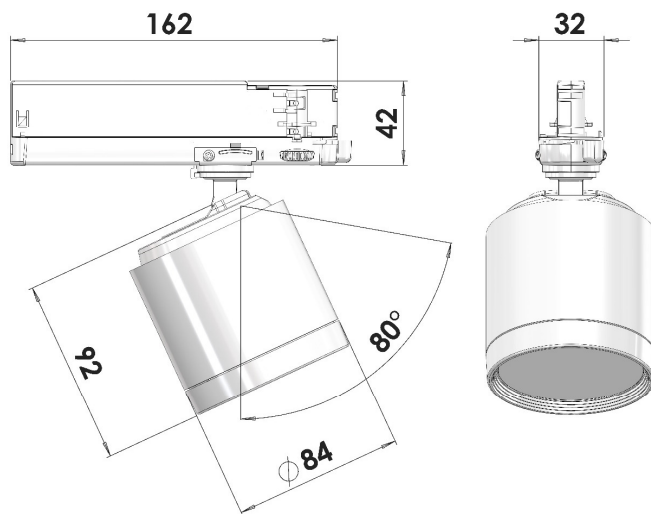
GA-017 STANDARD

Input Power	LED-Module *Citizen 6-Gen	Color Consistency	Installation Type	Material	Warranty	Beam Angles	Luminaire Color
220 – 240V	CRI 80+ 3000K, 4000K, 5000K CRI 90+ 2700K B.BBL, 3000K B.BBL, 3500K B.BBL, 4000K	2-Step MacAdam	NoA & Most 3-phase Tracks	Powder Painted Die-Cast Aluminum	50 000h Or 5 Years	1206 COB: S 15° NFL 20° FL 30° WFL 50°	White (RAL 9016) Silver (Ca. RAL 9006) Black (RAL 9005)

LED Module: Citizen CLU038-1206 6Gen – COB Luminous flux:

Output Current /
Module Wattage /
System Wattage:

	CRI 80+ 3 000K	CRI 80+ 4 000K	CRI 80+ 5 000K	CRI 90+ 2 700K Below BBL	CRI 90+ 3 000K Below BBL	CRI 90+ 3 500K Below BBL	CRI 90+ 4 000K
500mA / 17W / 18W	2 650Lm	2 725Lm	2 750Lm	2 075Lm	2 150Lm	2 200Lm	2 300Lm
550mA / 19W / 21W	2 875Lm	2 950Lm	3 000Lm	2 250Lm	2 350Lm	2 375Lm	2 500Lm
600mA / 21W / 23W	3 100Lm	3 200Lm	3 225Lm	2 425Lm	2 525Lm	2 550Lm	2 700Lm
650mA / 23W / 25W	3 325Lm	3 425Lm	3 450Lm	2 600Lm	2 725Lm	2 750Lm	2 900Lm



IP20

LED Design | Made In Finland

LIVAL

Metalmek Lighting B.V

Canadabaan7-d
5388 RT Nistelrode
Tel. 0412-614033
Fax 0412-613461

info@metalmek.nl
www.metalmek.nl

