



GA-016 DINGO

New Track Spot with Deep Aluminium Reflector

Powerful, yet Comfortable Light!

GA-016 DINGO

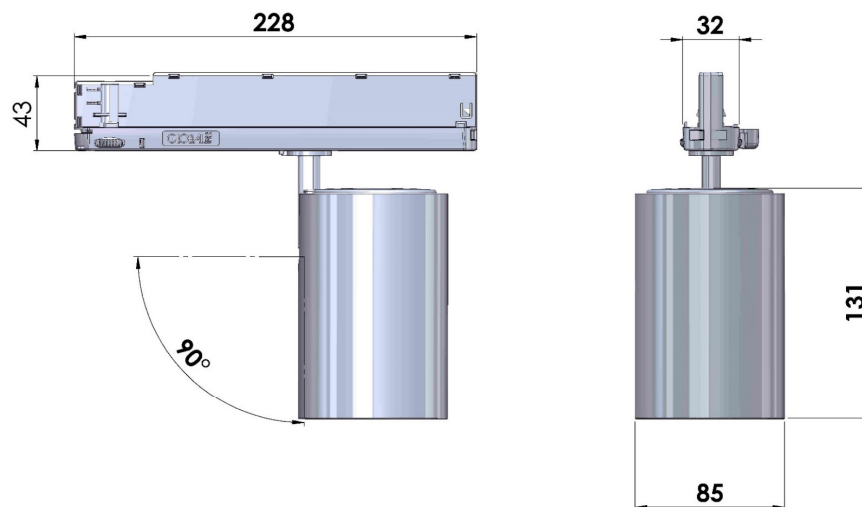
Input Power	LED-Module *Citizen Ver. 6	Color Consistency	Installation Type	Material	Warranty	Beam Angles	Luminaire Color
220 – 240V	CRI 80+ 3000K, 3500K 4000K, 5000K CRI 90+ 2700K B.BBL, 3000K B.BBL, 3500K B.BBL, 4000K	2-Step MacAdam	Nordic Aluminium 3-Phase Tracks	Powder Painted Die-Cast Aluminum	50 000h Or 5 Years	1206 COB: S 15° FL 28° WFL 35°	White (RAL 9016) Silver (Ca. RAL 9006) Black (RAL 9005)

LED Module: Citizen CLU038-1206 Ver. 6 – COB luminous flux:

Output Current /
Module Wattage /
System Wattage:

	CRI 80+ 3 000K	CRI 80+ 4 000K	CRI 80+ 5 000K	CRI 90+ 2 700K Below BBL	CRI 90+ 3 000K Below BBL	CRI 90+ 3 500K Below BBL	CRI 90+ 4 000K
700mA / 25W / 27W	3 550Lm	3 650Lm	3 675Lm	2 775Lm	2 875Lm	2 925Lm	3 075Lm
750mA / 27W / 29W	3 750Lm	3 850Lm	3 875Lm	2 925Lm	3 050Lm	3 100Lm	3 250Lm
800mA / 28W / 31W	3 925Lm	4 025Lm	4 075Lm	3 075Lm	3 200Lm	3 250Lm	3 425Lm
850mA / 31W / 34W	4 125Lm	4 225Lm	4 275Lm	3 225Lm	3 350Lm	3 400Lm	3 575Lm

Technical Dimensions:



IP20

LED Design | Made In Finland

LIVAL