



## GA-016 CASA

- Lival innovation – ECG fitted inside the adapter
- Good light in small form factor – no separate housing part

# GA-016 CASA

Input Power	LED-Module *Citizen 6-Gen	Color Consistency	Installation Type	Material	Warranty	Beam Angles	Luminaire Color
220 – 240V	CRI 80+ 3000K, 4000K, 5000K  CRI 90+ 2700K B.BBL, 3000K B.BBL, 3500K B.BBL, 4000K	2-Step MacAdam	NoA & Most 3-phase Tracks	Powder Painted Die-Cast Aluminum	50 000h Or 5 Years	1206 COB: S 15° NFL 21° FL 32° WFL 46°	White (RAL 9016)  Silver (Ca. RAL 9006)  Black (RAL 9005)

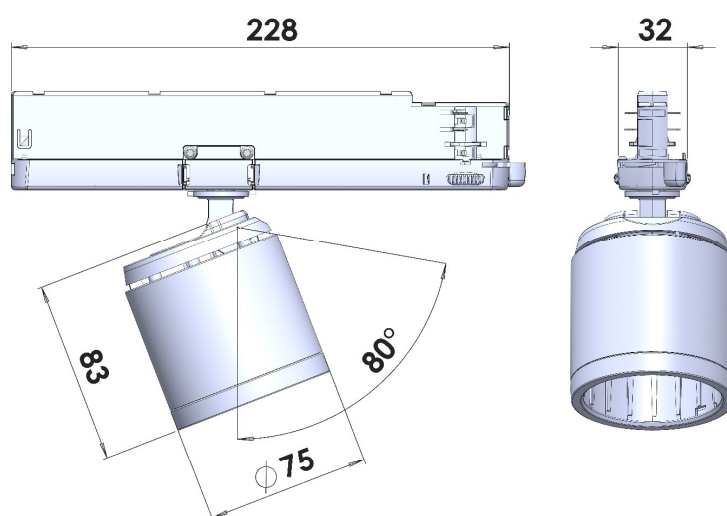
LED Module: Citizen CLU038-1206 6Gen – COB luminous flux:

Output Current /  
Module Wattage /  
System Wattage:

700mA / 24W / 27W

750mA / 26W / 29W

CRI 80+ 3 000K	CRI 80+ 4 000K	CRI 80+ 5 000K	CRI 90+ 2 700K Below BBL	CRI 90+ 3 000K Below BBL	CRI 90+ 3 500K Below BBL	CRI 90+ 4 000K
3 450Lm	3 550Lm	3 600Lm	2 700Lm	2 800Lm	2 850Lm	3 000Lm
3 650Lm	3 750Lm	3 800Lm	2 825Lm	2 925Lm	2 975Lm	3 150Lm



IP20

LED Design | Made In Finland

**LIVAL**

**Metalmek Lighting B.V**

Canadabaan7-d  
5388 RT Nistelrode  
Tel. 0412-614033  
Fax 0412-613461

[info@metalmek.nl](mailto:info@metalmek.nl)  
[www.metalmek.nl](http://www.metalmek.nl)

