

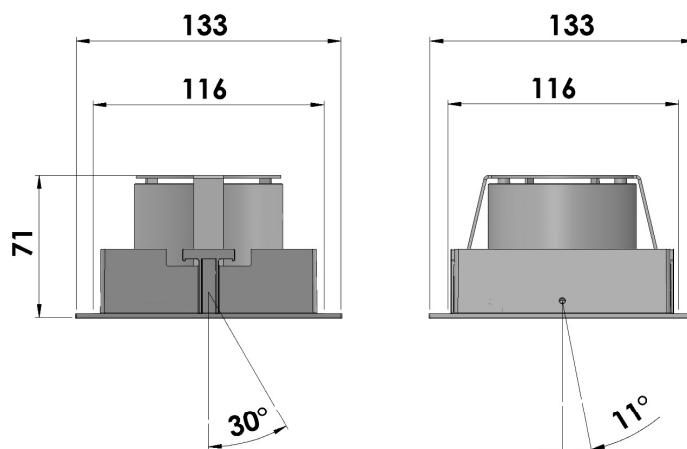


# CASA SINGLE DL

# CASA CIRCLE DL

Input Power	CRI & CCT Options	Cooling	Installation Type	Material	Warranty	Beam Angles	Luminaire Color
220 – 240V	CRI 80+ 3000K, 4000K, 5000K  CRI 90+ 2700K B.BBL, 3000K B.BBL, 3500K B.BBL, 4000K	Passive Cooling	Ceiling mounted recessed luminaire	Powder Painted Die-Cast Aluminum	50 000h Or 5 Years	1206 COB: S 15° NFL 21° FL 32° WFL 46°	White (RAL 9016)  Silver (Ca. RAL 9006)  Black (RAL 9005)

Output Current / Module Wattage / System Wattage:	LED Module: Citizen CLU038-1206					Power: 250mA – 750mA	
	CRI 80+ 3 000K	CRI 80+ 4 000K	CRI 80+ 5 000K	CRI 90+ 2 700K Below BBL	CRI 90+ 3 000K Below BBL	CRI 90+ 3 500K Below BBL	CRI 90+ 4 000K
600mA / 21W / 23W	3 100Lm	3 200Lm	3 225Lm	2 325Lm	2 425Lm	2 475Lm	2 600Lm
650mA / 23W / 25W	3 275Lm	3 350Lm	3 400Lm	2 450Lm	2 550Lm	2 700Lm	2 775Lm
700mA / 25W / 27W	3 475Lm	3 575Lm	3 625Lm	2 600Lm	2 725Lm	2 775Lm	2 950Lm
750mA / 27W / 29W	3 650Lm	3 775Lm	3 800Lm	2 750Lm	2 875Lm	2 925Lm	3 100Lm



**IP20**

LED Design | Made In Finland

**LIVAL**