

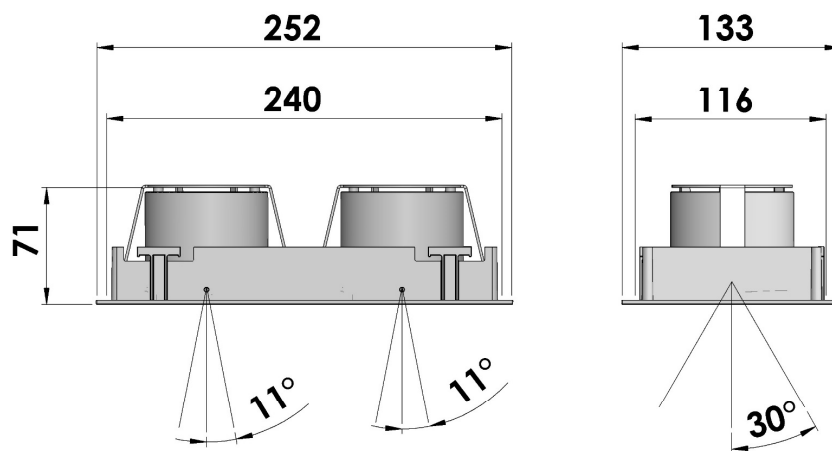


CASA DL DUO

CASA DL DUO

Input Power	CRI & CCT Options	Cooling	Installation Type	Material	Warranty	Beam Angles	Luminaire Color
220 – 240V	CRI 80+ 3000K, 4000K, 5000K CRI 90+ 2700K B.BBL, 3000K B.BBL, 3500K B.BBL, 4000K	Passive Cooling	Ceiling mounted recessed luminaire	Powder Painted Die-Cast Aluminum	50 000h Or 5 Years	1206 COB: S 15° NFL 21° FL 32° WFL 46°	White (RAL 9016) Silver (Ca. RAL 9006) Black (RAL 9005)

Output Current / Module Wattage / System Wattage:	LED Module: Citizen CLU038-1206						Power: 250mA – 750mA
	CRI 80+ 3 000K	CRI 80+ 4 000K	CRI 80+ 5 000K	CRI 90+ 2 700K Below BBL	CRI 90+ 3 000K Below BBL	CRI 90+ 3 500K Below BBL	CRI 90+ 4 000K
2x 600mA / 21W / 23W	3 100Lm x2	3 200Lm x2	3 225Lm x2	2 325Lm x2	2 425Lm x2	2 475Lm x2	2 600Lm x2
2x 650mA / 23W / 25W	3 275Lm x2	3 350Lm x2	3 400Lm x2	2 450Lm x2	2 550Lm x2	2 700Lm x2	2 775Lm x2
2x 700mA / 25W / 27W	3 475Lm x2	3 575Lm x2	3 625Lm x2	2 600Lm x2	2 725Lm x2	2 775Lm x2	2 950Lm x2
2x 750mA / 27W / 29W	3 650Lm x2	3 775Lm x2	3 800Lm x2	2 750Lm x2	2 875Lm x2	2 925Lm x2	3 100Lm x2



IP20

LED Design | Made In Finland

LIVAL