



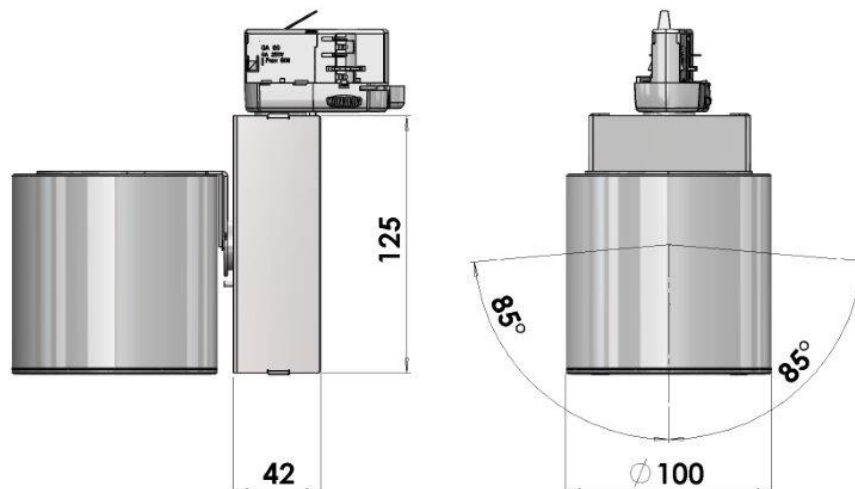
# HUB LED

- New Clean design

# HUB LED

Input Power	LED-Module	Color Consistency	Installation Type	Material	Warranty	Beam Angles	Luminaire Color
220 – 240V	CRI 80+ 3000K, 4000K, 5000K	2-Step MacAdam	NoA & Most 3 & 1 -phase Tracks	Powder Painted Die-Cast Aluminum	50 000h Or 5 Years	1206 COB: S 15°	White (RAL 9016)
	NFL 20°					Silver (Ca. RAL 9006)	
	FL 30° WFL 50°					Black (RAL 9005)	

Output Current / Module Wattage / System Wattage:	LED Module: Citizen CLU038-1206 6-Gen – COB luminous flux:					Power: 300mA – 1050mA	
	CRI 80+ 3 000K	CRI 80+ 4 000K	CRI 80+ 5 000K	CRI 90+ 2 700K Below BBL	CRI 90+ 3 000K Below BBL	CRI 90+ 3 500K Below BBL	CRI 90+ 4 000K
450mA / 15W / 17W	2 475Lm	2 550Lm	2 575Lm	1 950Lm	2 025Lm	2 050Lm	2 150Lm
900mA / 32W / 35W	4 425Lm	4 525Lm	4 575Lm	3 450Lm	3 600Lm	3 650Lm	3 850Lm
1050mA / 38W / 42W	4 925Lm	5 050Lm	5 125Lm	3 850Lm	4 000Lm	4 075Lm	4 300Lm



**IP20**

LED Design | Made In Finland

**LIVAL**

**Metalmek Lighting B.V**

Canadabaan7-d  
5388 RT Nistelrode  
Tel. 0412-614033  
Fax 0412-613461

info@metalmek.nl  
www.metalmek.nl

