



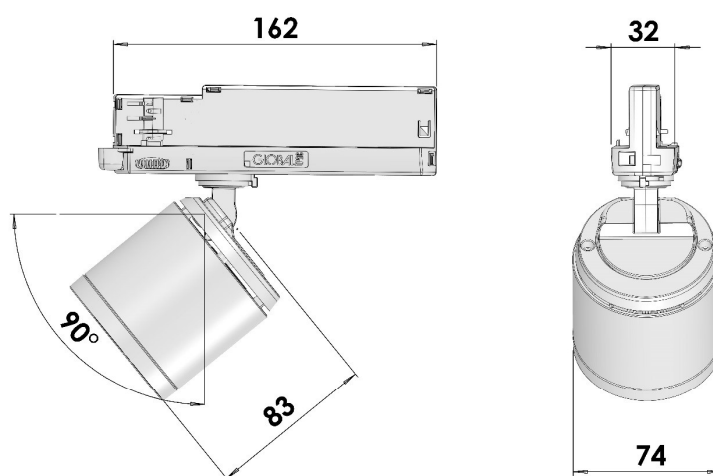
## GA-017 CASA

# GA-017 CASA

Input Power	LED Module Options	Color Consistency	Installation Type	Material	Warranty	Beam Angles	Luminaire Color
220 – 240V	<b>CRI 80+</b> 2700K, 3000K, 3500K, 4000K, 5000K <b>CRI 90+</b> 2700K, 3000K B.BBL, 3500K B.BBL, 4000K, 5000K	2-Step MacAdam	Nordic Aluminium 3-Phase Tracks	Powder Painted Die-Cast Aluminum	50 000h Or 5 Years	S 15° FL 21° WFL 32° VWFL 3d 46° MFL 3d 25°	White (RAL 9016) Silver (Ca. RAL 9006) Black (RAL 9005)

Output Current / Module Wattage / System Wattage:	LED Module Luminous Flux:						200-700mA
	CRI 80+ 3 000K	CRI 80+ 4 000K	CRI 80+ 5 000K	CRI 90+ 2 700K	CRI 90+ 3 000K Below BBL	CRI 90+ 3 500K Below BBL	CRI 90+ 4 000K
200mA / 6,5W / 7,5W	1 125Lm	1 175Lm	1 200Lm	925Lm	900Lm	950Lm	1 050Lm
300mA / 10W / 11W	1 725Lm	1 800Lm	1 825Lm	1 400Lm	1 375Lm	1 425Lm	1 425Lm
450mA / 15W / 18W	2 475Lm	2 600Lm	2 650Lm	2 025Lm	1 975Lm	2 050Lm	2 250Lm
700mA / 25W / 28W	3 700Lm	3 875Lm	3 925Lm	3 000Lm	2 975Lm	3 100Lm	3 325Lm

## Technical Dimensions:



**IP20**

LED Design | Made In Finland

**LIVAL**

**Metalmek Lighting B.V**

Canadabaan7-d  
5388 RT Nistelrode  
Tel. 0412-614033

[info@metalmek.nl](mailto:info@metalmek.nl)  
[www.metalmek.nl](http://www.metalmek.nl)