



GA-017 BING

- New clean & seamless design based on the popular GA-017 adapter-driver

GA-017 BING

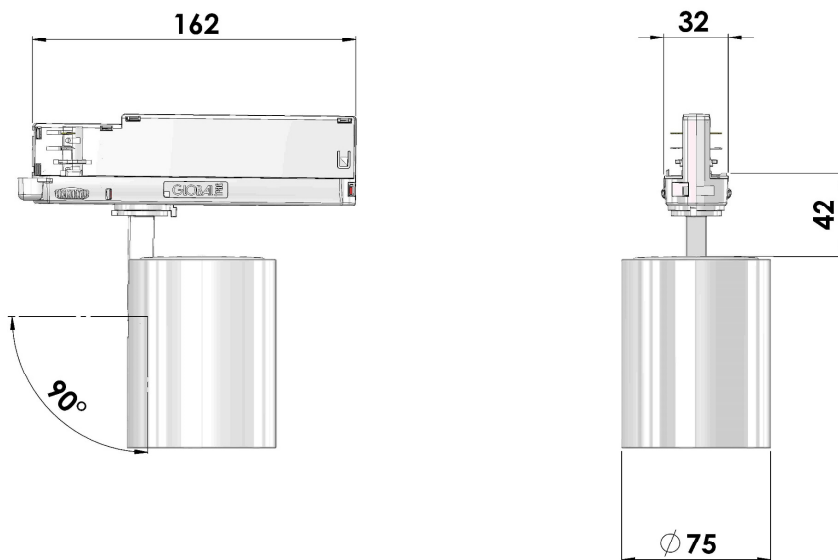
Input Power	LED-Module *Citizen Ver. 6	Color Consistency	Installation Type	Material	Warranty	Beam Angles	Luminaire Color
220 – 240V	CRI 80+ 3000K, 4000K, 5000K CRI 90+ 2700K B.BBL, 3000K B.BBL, 3500K B.BBL, 4000K	2-Step MacAdam	NoA & Most 3-phase Tracks	Powder Painted Die-Cast Aluminum	50 000h Or 5 Years	1206 COB: S 15° FL 21° WFL 32° VWFL 46°	White (RAL 9016) Silver (Ca. RAL 9006) Black (RAL 9005)

LED Module: Citizen CLU038-1206 Ver. 6 – COB Luminous flux:

Output Current /
Module Wattage /
System Wattage:

	CRI 80+ 3 000K	CRI 80+ 4 000K	CRI 80+ 5 000K	CRI 90+ 2 700K Below BBL	CRI 90+ 3 000K Below BBL	CRI 90+ 3 500K Below BBL	CRI 90+ 4 000K
500mA / 17W / 19W	2 625Lm	2 700Lm	2 725Lm	2 050Lm	2 125Lm	2 175Lm	2 275Lm
550mA / 19W / 21W	2 850Lm	2 925Lm	2 975Lm	2 225Lm	2 325Lm	2 350Lm	2 475Lm
600mA / 21W / 23W	3 075Lm	3 200Lm	3 175Lm	2 400Lm	2 500Lm	2 525Lm	2 675Lm
650mA / 23W / 25W	3 325Lm	3 425Lm	3 450Lm	2 575Lm	2 700Lm	2 725Lm	2 875Lm

Technical drawings:



IP20

LED Design | Made In Finland

LIVAL