



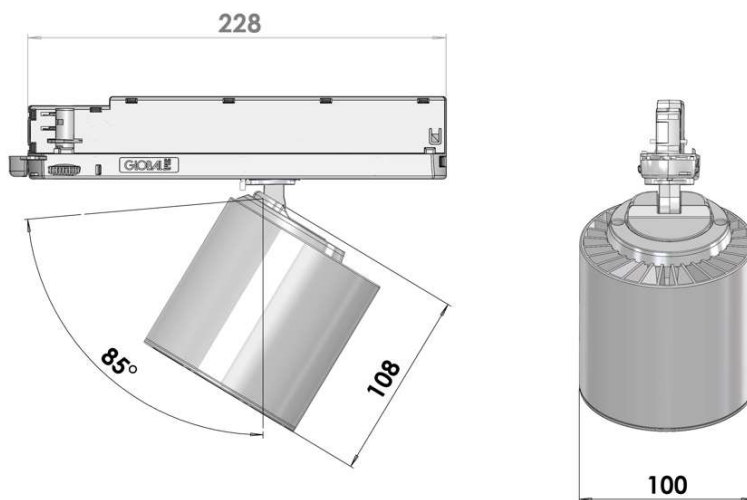
GA-016 Cafeteria

GA-016 CAFETERIA

Input Power	LED-Module	Color Consistency	Installation Type	Material	Warranty	Beam Angles	Luminaire Color
220 – 240V	Philips 1208 930 PW HE Philips 1208 940 PW HE	2-Step MacAdam	Nordic Aluminium Global Trac 3-Circuit Tracks	Powder Painted Die-Cast Aluminium	50 000h Or 5 Years	S 15°	White (RAL 9016) Silver (Ca. RAL 9006) Black (RAL 9005)
						NFL 20°	
						NFL 3d 24°	
						FL 30°	
						MFL 3d 36°	
WFL 3d 55°							

Forward Current	COB Type	COB Luminous Flux	COB Power	Total System Power
500mA	1208 930 PW HE	2.700Lm	16,6W	19,0W
500mA	1208 940 PW HE	2.850Lm	16,6W	19,0W
700mA	1208 930 PW HE	3.600Lm	23,8W	27,3W
700mA	1208 940 PW HE	3.800Lm	23,8W	27,3W
850mA	1208 930 PW HE	4.300Lm	29,4W	33,8W
850mA	1208 940 PW HE	4.550Lm	29,4W	33,8W
1050mA	1208 930 PW HE	5.100Lm	37,1W	42,6W
1050mA	1208 940 PW HE	5.400Lm	37,1W	42,6W

Technical Dimensions:



IP20

LED Design | Made In Finland

LIVAL