

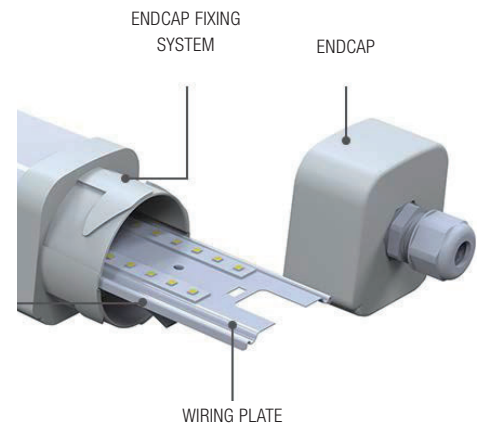
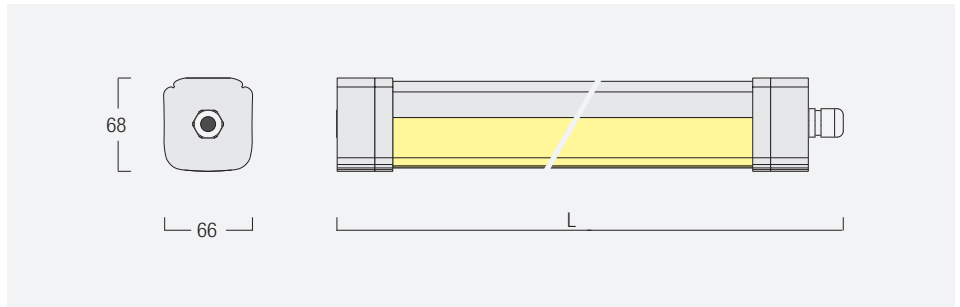


LIGHTING COLLECTION

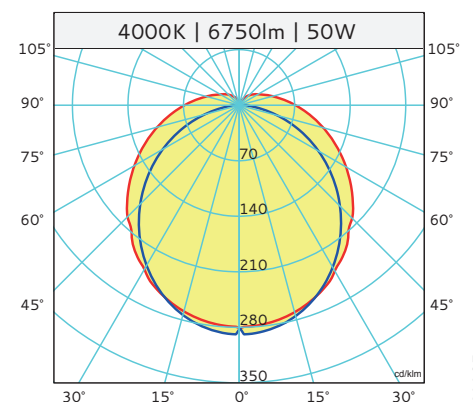
**Metalmek**



Mounting
Ceiling
Suspended by acc. 4417SP1 + 4406
Body + Optical device
In polycarbonate co-extruded in one piece. Self-extinguishing: category V2. UV stabilized opal diffuser.
Removable gear tray in extruded aluminium
End-caps
Closed: injection-molded polycarbonate.
With PG 13.5: equipped with removable terminal for easy connection to the network.
Light emission
Direct
Symmetric
Light source
CRI $\geq$ 80
3000K-4000K-6500K
Lifetime: 50000hrs L70B50
Wiring
Class I <sup>st</sup>
Adjustable direct current electronic ballast with DIP-SWITCH. Output current from 125mA to 250mA.
Feeding 220~240V Ac 50-60 Hz
Ballast operating temperature: -25°C +45°C
Performance data
Protection rate: IP65
Impact resistance: IK 08
Flame resistance, test glow-wire: 850°C
Normatives
EN 60598-1
EN 60598-2-1
EN 60598-2-22
Photobiological safety
EN 62471
IEC/TR 62778
Directives
2014/35/UE
2014/30/UE
<b>UPON REQUEST VERSION</b>
LED CRI $\geq$ 90
Emergency unit autonomy: 3 hrs



K	lm in	lm out	W	L	kg	m <sup>3</sup>	cod. ELE	cod. EM
3000	5082	3708	20/40	1225	1.2	0,009	7120DS1260E0	7120DS1260EM3
4000	5452	3980						
6500	5246	3830	25/50	1525	1.5	0,011	7120DS1560E0	7120DS1560EM3
3000	6182	4511						
4000	6750	4840						
6500	6382	4576						







FOLLOW US



**Metalmek**

Metalmek Illuminazione S.r.l.  
I - 20045 Lainate (MI)  
Via Ramazzotti, 10  
Tel. +39 02 9373157  
Fax +39 02 9371016  
[www.metalmek.info](http://www.metalmek.info)  
[info@metalmek.eu](mailto:info@metalmek.eu)

Metalmek Lighting BV  
Canadabaan 7d  
NL - 5388 RT Nistelrode  
Tel. +31 412 614033  
Fax +31 412 613461  
[www.metalmek.nl](http://www.metalmek.nl)  
[info@metalmek.nl](mailto:info@metalmek.nl)